

Relay board RP3E6A for SMARTCON control

1 General

The additional relay board RP3E6A extends the SMARTCON control unit with 3 binary inputs and 6 output relays.

The additional relay board RP3E6A is a hardware option and should be ordered in combination with the SMARTCON control unit.

A later installation is possible.

The additional relay board RP3E6A is mounted below the logic board of the SMARTCON control unit.

2 Binary inputs

The 3 binary inputs have a common ground (see Figure 1). These inputs are developed for a wide input voltage range due to an input current limitation.

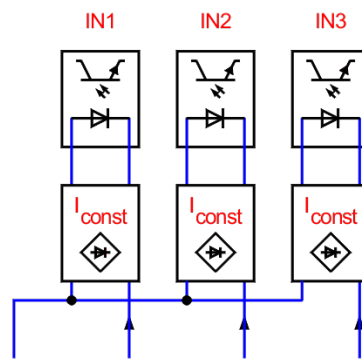


Figure 1: Binary inputs

3 Relay configuration

The relays are arranged in four groups. Relay R1 and R2 are separate changeover contacts, relays R3, R4 and R5, R6 are normally open contacts with same common each.

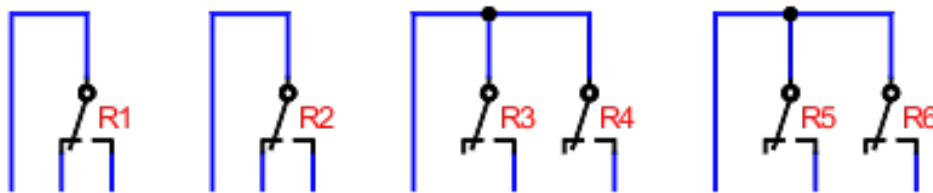


Figure 2: Relay configuration

4 Technical data

Binary inputs:

Nominal input voltage range: 48... 230V AC/DC +/-10%

Current consumption: max. 2mA

Relays:

Max. switching voltage: 230V AC/DC

Max. switching current: 2A resistive